



OUTDOOR LIGHTING

IOL236
10/14

QUESTIONS OR CONCERNS CONTACT CANARM AT:

1-800-265-1833 (English) / 1-800-567-2513 (French)
Monday through Friday 8:00 AM to 5:00 PM E.S.T.



INSTRUCTIONS PERTAINING TO RISK OF FIRE OR INJURY TO PERSONS
READ ALL INSTRUCTIONS

IMPORTANT SAFETY INSTRUCTIONS SAVE THESE INSTRUCTIONS

TOOLS AND MATERIALS REQUIRED:



Phillips
Screwdriver



Wire Cutters



Pliers



Wrench

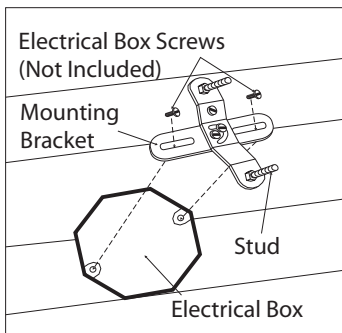
Wiring supplies
as required by
the Canadian
Electrical Code
and/or the
Quebec
Electrical code

SAFETY PRECAUTIONS:

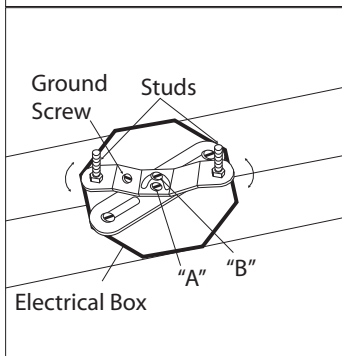
1. TURN OFF ELECTRICAL POWER BEFORE STARTING INSTALLATION OF LIGHT FIXTURE.
2. THIS PRODUCT MUST BE INSTALLED IN ACCORDANCE WITH THE APPLICABLE INSTALLATION CODE BY A PERSON FAMILIAR WITH THE CONSTRUCTION AND OPERATION OF THE PRODUCT AND THE HAZARDS INVOLVED.
3. FIRMLY ATTACH THE FIXTURE GROUND WIRE (BARE COPPER) TO THE MOUNTING BRACKET WITH THE GROUND SCREW (BY WRAPPING AROUND THE GROUND SCREW) AND THEN CONNECT IT TO THE HOUSE SUPPLY GROUND WIRE WITH A WIRE NUT.

NOTE: Product May Not Look Exactly As Shown In Figures.

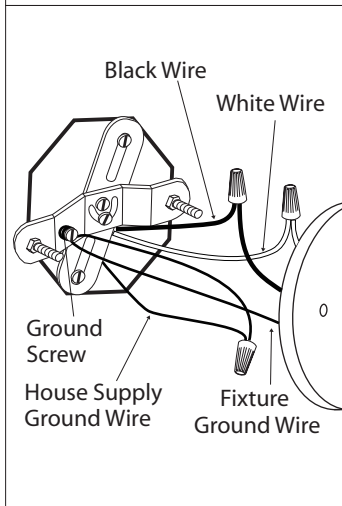
INSTALLATION:



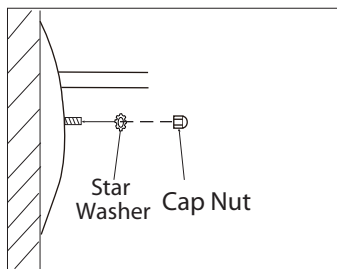
1. Mount the mounting bracket to outlet box using outlet box screws (not included). Make sure the studs on the mounting bracket are facing out from the outlet box.



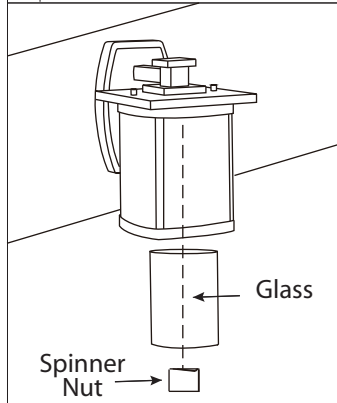
2. Position mounting bracket so that the fixture will sit level once it is mounted to the wall. Tighten screws "A" and "B" to hold in place.



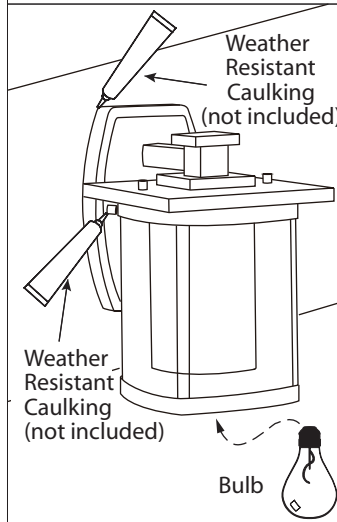
3. Firmly attach the fixture ground wire (bare copper) to the mounting bracket with the ground screw (by wrapping around the ground screw) and then connect it to the house supply ground wire with a wire nut. Connect black wire from fixture to black wire in outlet box and connect the white wire from fixture to white wire in outlet box.



4. Once connections of wires are completed, carefully tuck wires and wire nuts into the outlet box making sure no bare wire (on the black and white) is visible at the wire nuts. Install the light fixture to the wall by aligning the hole(s) in the fixture with the studs on the mounting bracket. Secure in place with cap nut(s) and star washer (s).



5. Remove spinner nut from socket. Position glass on lamp and secure with spinner nut.



6. Install the proper bulb type and wattage (not included).

7. After Installation, seal around the top and side perimeter between the fixture and the wall surface with weather resistant caulking. The bottom should be left un-caulked to prevent moisture build-up. Apply a small amount of weather resistant caulking around the side perimeter between the cap nut and mounting plate.